

High spin washing machine LM 85

C030906B

Technical data

Capacity	85	kg
Drum diameter	1200	mm
Drum depth	750	mm
Drum volume	848	l
Load diameter	530	mm
Wash speed	26	rpm
Low speed	390	rpm
High spin speed	750	rpm
G Factor	377	
Noise	72	dB(A)
Heating leaks from the structure**	5	%

Weights and packing dimensio

Height	2200	mm
Width	1700	mm
Depth	1650	mm
Volum	6.2	m ³
Gross weight	1960	kg
Net weight	1900	kg

Water consumpt

Total consumption	1550	litri
Low level	370	litri
High level	383	litri

Electrical heating

Heating element	6 x 5000	W
Consumption*	37	kWh

Steam heating

Steam consumption*	63	kg
Max pressure***	4.5	bar

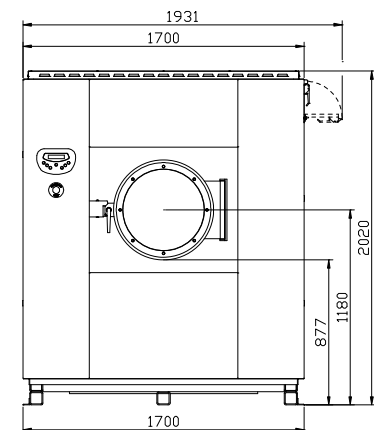
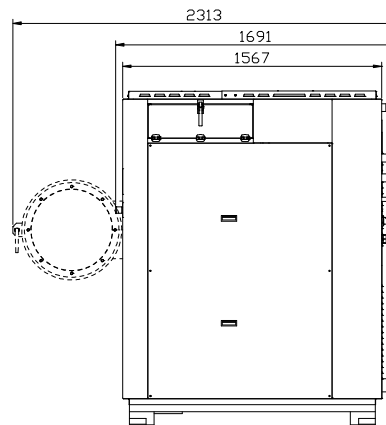
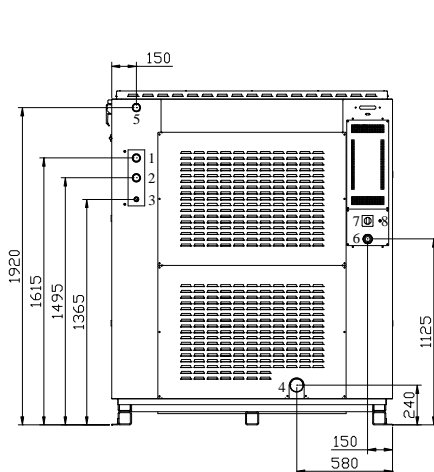
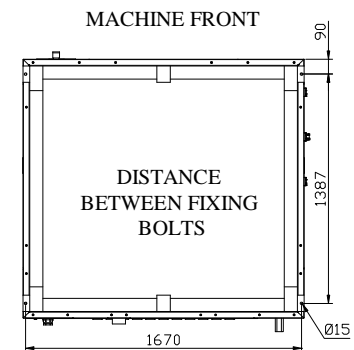
* Cycle B - ISO 9398

** Percentage on installed power

*** Optional 10 bar

Power and absorptions

Heating	Supply	Total power	Absorption
Elettrico	3ph 400V+N	42 kW	65 A
Elettrico	3ph 230V	42 kW	113 A
Elettrico	1ph 230V	NO kW	NO A
Vapore/Hot Water	3ph 400V+N	12 kW	22 A
Vapore/Hot Water	3ph 230V	12 kW	37 A
Vapore/Hot Water	1ph 230V	NO kW	NO A



- 1 - Cold water inlet 1"1/2 - Press 0,5 ÷ 10 bar
- 2 - Hot water inlet 1"1/2 - Press 0,5 ÷ 10 bar
- 3 - Steam inlet 3/4"
- 4 - Drain Ø80 mm

- 5 - Bleed
- 6 - Electrical power
- 7 - Main switch
- 8 - Fuse

DISTRIBUTOR

IMESA S.p.A.

Via Degli Olmi, 22 - 31040 CESSALTO (TV) - ITALY

Tel. +390.421.46.80.11 - Fax +390.421.46.80.00

Internet address: www.imesa.it - E-Mail: imesa@imesa.it

