

# High spin washing machine LM 40

C030903B

## Technical data

Capacity	40	kg
Drum diameter	977	mm
Drum depth	535	mm
Drum volume	400	l
Load diameter	530	mm
Wash speed	34	rpm
Low speed	400	rpm
High spin speed	830	rpm
G Factor	377	
Noise	70	dB(A)
Heating leaks from the structure**	5	%

## Weights and packing dimensio

Height	1910	mm
Width	1700	mm
Depth	1500	mm
Volum	4.9	m <sup>3</sup>
Gross weight	1540	kg
Net weight	1490	kg

## Water consumpt

Total consumption	702	litri
Low level	166	litri 7 cm
High level	174	litri 9 cm

## Electrical heating

Heating element	6 x 4000	W
Consumption*	16	kWh

## Steam heating

Steam consumption*	28	kg
Max pressure***	4.5	bar

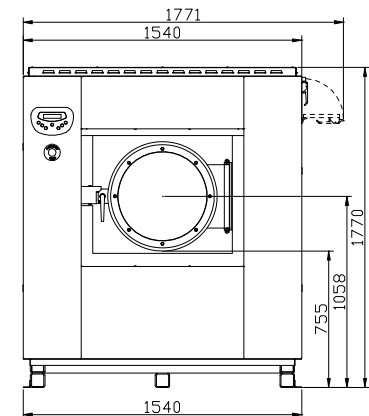
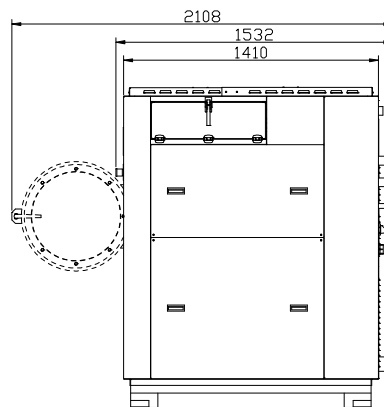
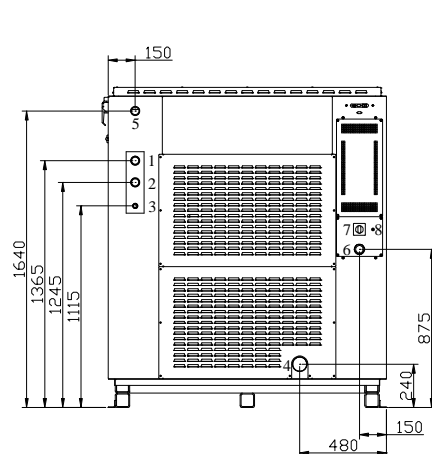
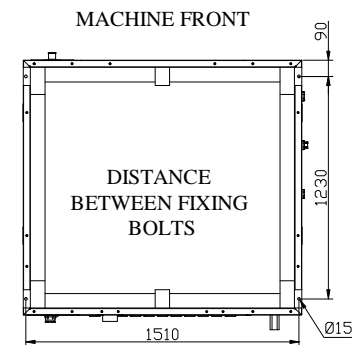
\* Cycle B - ISO 9398

\*\* Percentage on installed power

\*\*\* Optional 10 bar

## Power and absorptions

Heating	Supply	Total power	Absorption
Elettrico	3ph 400V+N	32 kW	49 A
Elettrico	3ph 230V	32 kW	85 A
Elettrico	1ph 230V	NO kW	NO A
Vapore/Hot Water	3ph 400V+N	8 kW	14 A
Vapore/Hot Water	3ph 230V	8 kW	25 A
Vapore/Hot Water	1ph 230V	NO kW	NO A



- 1 - Cold water inlet 1"1/2 - Press 0,5 ÷ 10 bar
- 2 - Hot water inlet 1"1/2 - Press 0,5 ÷ 10 bar
- 3 - Steam inlet 3/4"
- 4 - Drain Ø80 mm

- 5 - Bleed
- 6 - Electrical power
- 7 - Main switch
- 8 - Fuse

DISTRIBUTOR

**IMESA S.p.A.**

Via Degli Olmi, 22 - 31040 CESSALTO (TV) - ITALY

Tel. +390.421.46.80.11 - Fax +390.421.46.80.00

Internet address: [www.imesa.it](http://www.imesa.it) - E-Mail: [imesa@imesa.it](mailto:imesa@imesa.it)

