

High spin washing machine LM 30

C030902B

Technical data

Capacity	30	kg
Drum diameter	880	mm
Drum depth	523	mm
Drum volume	318	l
Load diameter	400	mm
Wash speed	32	rpm
Low speed	400	rpm
High spin speed	840	rpm
G Factor	346	
Noise	70	dB(A)
Heating leaks from the structure**	5	%

Weights and packing dimensio

Height	1680	mm
Width	1350	mm
Depth	1350	mm
Volum	3.1	m ³
Gross weight	970	kg
Net weight	940	kg

Water consumpt

Total consumption	511	litri		
Low level	120	litri	7	cm
High level	127	litri	9	cm

Electrical heating

Heating element	6 x 4000	W
Consumption*	12	kWh

Steam heating

Steam consumption*	20	kg
Max pressure***	4.5	bar

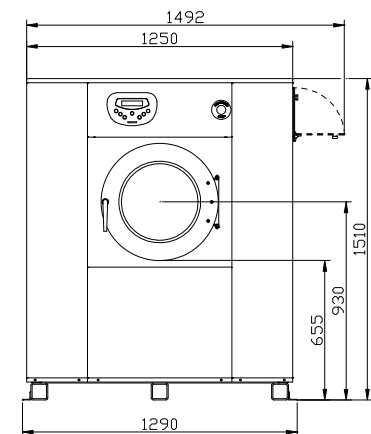
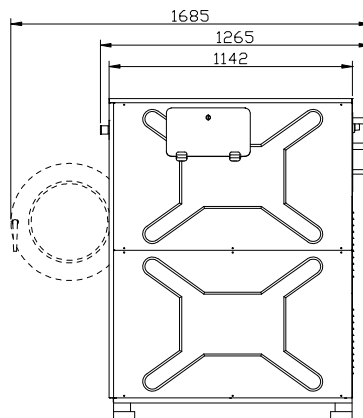
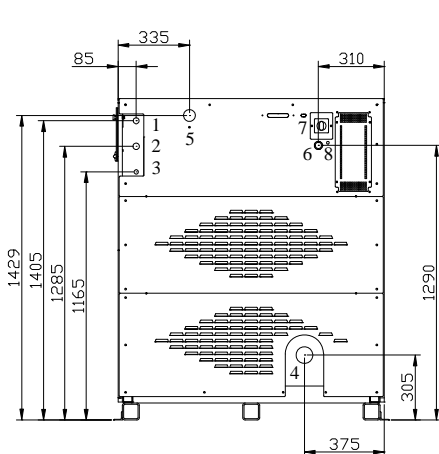
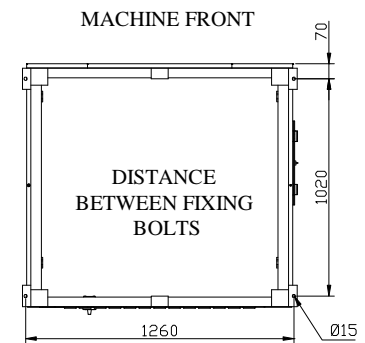
* Cycle B - ISO 9398

** Percentage on installed power

*** Optional 10 bar

Power and absorptions

Heating	Supply	Total power	Absorption
Elettrico	3ph 400V+N	30 kW	46 A
Elettrico	3ph 230V	30 kW	79 A
Elettrico	1ph 230V	NO kW	NO A
Vapore/Hot Water	3ph 400V+N	6 kW	11 A
Vapore/Hot Water	3ph 230V	6 kW	19 A
Vapore/Hot Water	1ph 230V	NO kW	NO A



- 1 - Cold water inlet 1" - Press 0,5 ÷ 10 bar
- 2 - Hot water inlet 1" - Press 0,5 ÷ 10 bar
- 3 - Steam inlet 3/4"
- 4 - Drain Ø80 mm

- 5 - Bleed
- 6 - Electrical power
- 7 - Main switch
- 8 - Fuse

DISTRIBUTOR

IMESA S.p.A.

Via Degli Olmi, 22 - 31040 CESSALTO (TV) - ITALY

Tel. +390.421.46.80.11 - Fax +390.421.46.80.00

Internet address: www.imesa.it - E-Mail: imesa@imesa.it

