

High spin washing machine LM 23

C030610D

Technical data

Capacity	23	kg
Drum diameter	700	mm
Drum depth	560	mm
Drum volume	215	l
Load diameter	380	mm
Wash speed	35	rpm
Low speed	440	rpm
High spin speed	900	rpm
G Factor	316	
Noise	70	dB(A)
Heating leaks from the structure**	5	%

Weights and packing dimensio

Height	1470	mm
Width	1000	mm
Depth	1150	mm
Volum	1.7	m ³
Gross weight	450	kg
Net weight	435	kg

Water consumpt

Total consumption	380	litri
Low level	81	litri
High level	97	litri

Electrical heating

Heating element	3 x 5000	W
Consumption*	8	kWh

Steam heating

Steam consumption*	14	kg
Max pressure***	4.5	bar

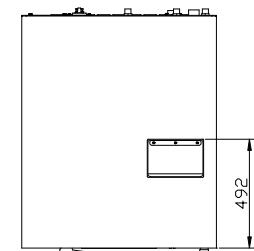
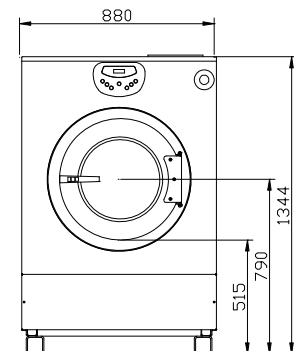
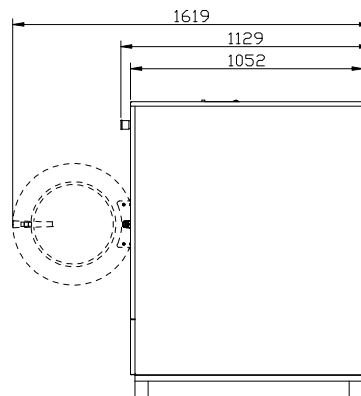
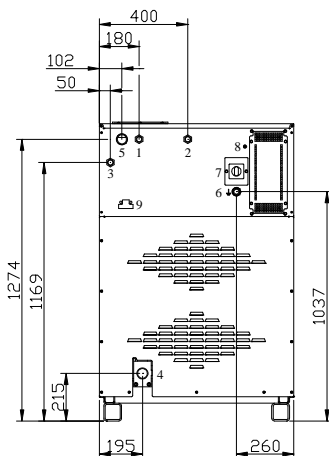
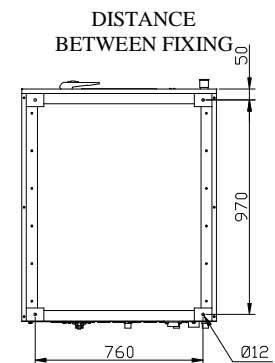
* Cycle B - ISO 9398

** Percentage on installed power

*** Optional 10 bar

Power and absorptions

Heating	Supply	Total power	Absorption
Elettrico	3ph 400V+N	18 kW	27 A
Elettrico	3ph 230V	18 kW	47 A
Elettrico	1ph 230V	NO kW	NO A
Vapore/Hot Water	3ph 400V+N	3 kW	5 A
Vapore/Hot Water	3ph 230V	3 kW	9 A
Vapore/Hot Water	1ph 230V	NO kW	NO A



MACHINE FRONT

- | | |
|------------------------------------------------|--------------------------|
| 1 - Cold water inlet 3/4" - Press 0,5 ÷ 10 bar | 6 - Electrical power |
| 2 - Hot water inlet 3/4" - Press 0,5 ÷ 10 bar | 7 - Main switch |
| 3 - Steam inlet 3/4" | 8 - Fuse |
| 4 - Drain Ø50 mm | 9 - External connections |
| 5 - Bleed | |

DISTRIBUTOR

IMESA S.p.A.

Via Degli Olmi, 22 - 31040 CESSALTO (TV) - ITALY

Tel. +390.421.46.80.11 - Fax +390.421.46.80.00

Internet address: www.imesa.it - E-Mail: imesa@imesa.it

