

# High spin washing machine LM 18

C030609D

## Technical data

|                                    |     |       |
|------------------------------------|-----|-------|
| Capacity                           | 18  | kg    |
| Drum diameter                      | 700 | mm    |
| Drum depth                         | 470 | mm    |
| Drum volume                        | 180 | l     |
| Load diameter                      | 380 | mm    |
| Wash speed                         | 35  | rpm   |
| Low speed                          | 440 | rpm   |
| High spin speed                    | 900 | rpm   |
| G Factor                           | 316 |       |
| Noise                              | 70  | dB(A) |
| Heating leaks from the structure** | 5   | %     |

## Weights and packing dimensio

|              |      |                |
|--------------|------|----------------|
| Height       | 1470 | mm             |
| Width        | 1000 | mm             |
| Depth        | 1150 | mm             |
| Volum        | 1.7  | m <sup>3</sup> |
| Gross weight | 435  | kg             |
| Net weight   | 420  | kg             |

## Water consumpt

|                   |     |       |
|-------------------|-----|-------|
| Total consumption | 297 | litri |
| Low level         | 66  | litri |
| High level        | 75  | litri |

## Electrical heating

|                 |          |     |
|-----------------|----------|-----|
| Heating element | 3 x 4000 | W   |
| Consumption*    | 7        | kWh |

## Steam heating

|                    |     |     |
|--------------------|-----|-----|
| Steam consumption* | 11  | kg  |
| Max pressure***    | 4.5 | bar |

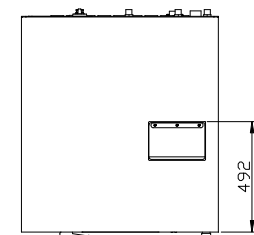
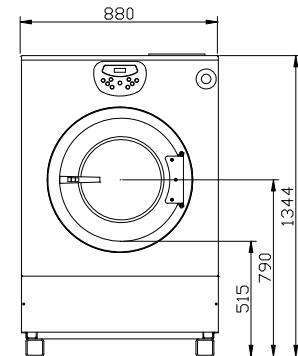
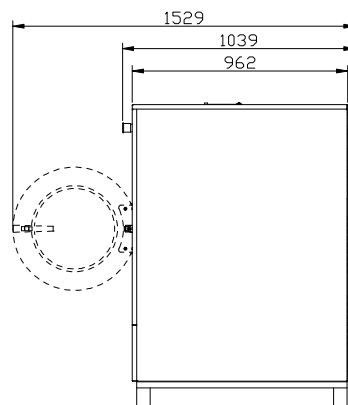
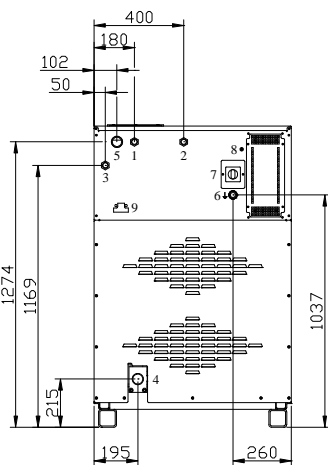
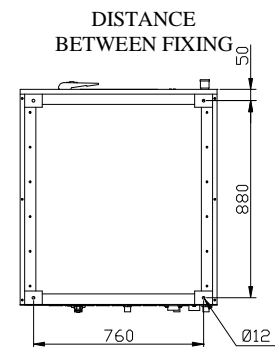
\* Cycle B - ISO 9398

\*\* Percentage on installed power

\*\*\* Optional 10 bar

## Power and absorptions

| Heating          | Supply     | Total power | Absorption |
|------------------|------------|-------------|------------|
| Elettrico        | 3ph 400V+N | 14,5 kW     | 22 A       |
| Elettrico        | 3ph 230V   | 14,5 kW     | 38 A       |
| Elettrico        | 1ph 230V   | NO kW       | NO A       |
| Vapore/Hot Water | 3ph 400V+N | 2.5 kW      | 5 A        |
| Vapore/Hot Water | 3ph 230V   | 2.5 kW      | 8 A        |
| Vapore/Hot Water | 1ph 230V   | NO kW       | NO A       |



MACHINE FRONT

- 1 - Cold water inlet 3/4" - Press 0,5 ÷ 10 bar
- 2 - Hot water inlet 3/4" - Press 0,5 ÷ 10 bar
- 3 - Steam inlet 3/4"
- 4 - Drain Ø50 mm
- 5 - Bleed

- 6 - Electrical power
- 7 - Main switch
- 8 - Fuse
- 9 - External connections

DISTRIBUTOR

**IMESA S.p.A.**

Via Degli Olmi, 22 - 31040 CESSALTO (TV) - ITALY

Tel. +390.421.46.80.11 - Fax +390.421.46.80.00

Internet address: [www.imesa.it](http://www.imesa.it) - E-Mail: [imesa@imesa.it](mailto:imesa@imesa.it)

