

High spin washing machine LM 14

C030608D

Technical data

Capacity	14	kg
Drum diameter	700	mm
Drum depth	365	mm
Drum volume	140	l
Load diameter	380	mm
Wash speed	35	rpm
Low speed	440	rpm
High spin speed	900	rpm
G Factor	316	
Noise	70	dB(A)
Heating leaks from the structure**	5	%

Weights and packing dimensio

Height	1470	mm
Width	1000	mm
Depth	1150	mm
Volum	1.7	m ³
Gross weight	405	kg
Net weight	390	kg

Water consumpt

Total consumption	234	litri
Low level	52	litri
High level	59	litri

Electrical heating

Heating element	3 x 3000	W
Consumption*	5	kWh

Steam heating

Steam consumption*	9	kg
Max pressure***	4.5	bar

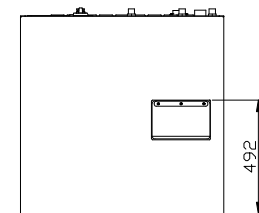
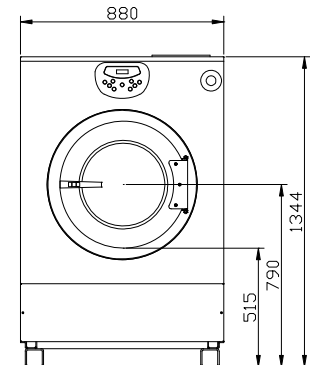
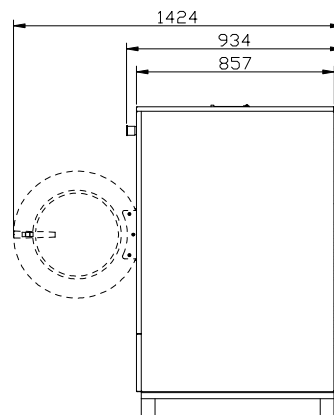
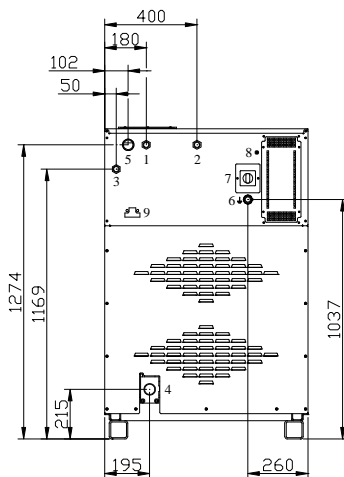
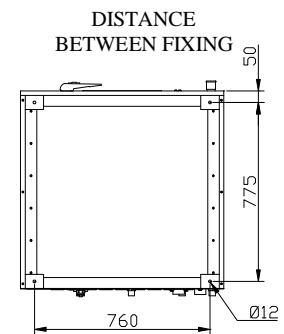
* Cycle B - ISO 9398

** Percentage on installed power

*** Optional 10 bar

Power and absorptions

Heating	Supply	Total power	Absorption
Elettrico	3ph 400V+N	11 kW	17 A
Elettrico	3ph 230V	11 kW	26 A
Elettrico	1ph 230V	11 kW	43 A
Vapore/Hot Water	3ph 400V+N	2 kW	4 A
Vapore/Hot Water	3ph 230V	2 kW	4 A
Vapore/Hot Water	1ph 230V	2 kW	4 A



MACHINE FRONT

- 1 - Cold water inlet 3/4" - Press 0,5 ÷ 10 bar
- 2 - Hot water inlet 3/4" - Press 0,5 ÷ 10 bar
- 3 - Steam inlet 3/4"
- 4 - Drain Ø50 mm
- 5 - Bleed

- 6 - Electrical power
- 7 - Main switch
- 8 - Fuse
- 9 - External connections

DISTRIBUTOR

IMESA S.p.A.

Via Degli Olmi, 22 - 31040 CESSALTO (TV) - ITALY

Tel. +390.421.46.80.11 - Fax +390.421.46.80.00

Internet address: www.imesa.it - E-Mail: imesa@imesa.it

