

## Technical data

<b>Ironing length</b>	1504 mm
<b>Roller diameter</b>	330 mm
<b>Hourly production*</b>	34 Kg/h
<b>Ironing speed</b>	1-6 m/min
<b>Evaporation capacity*</b>	17 l/h
<b>Steam suction capacity</b>	350 m <sup>3</sup> /h
<b>Heating leaks from the struct</b>	2 %
<b>Noise</b>	55 dB(A)

## Weights and packing dimensions

<b>Height</b>	1270 mm
<b>Width</b>	2230 mm
<b>Depth</b>	710 mm
<b>Volum</b>	2 m <sup>3</sup>
<b>Gross weight</b>	474 kg
<b>Net weight</b>	447 kg

## Electrical heating

<b>Heating element</b>	9x2300 W
<b>Heating power</b>	20.7 kW

## Gas heating

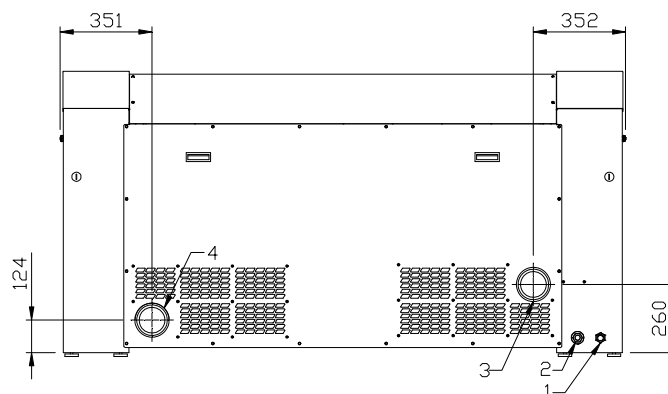
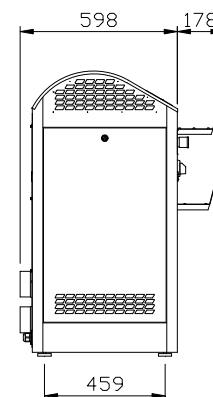
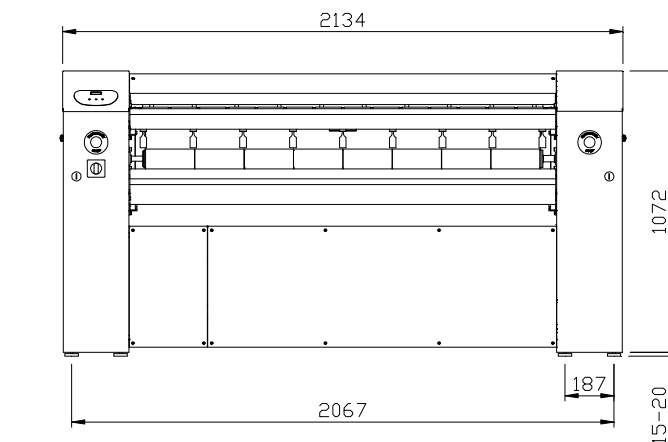
<b>Burners</b>	1
<b>Gas connection</b>	3/4"
<b>Heating power</b>	22 kW
<b>Flue gas suction</b>	350 m <sup>3</sup> /h

## Power and absorptions

Heating	Supply	Total power	Absorption
Elettrico	3ph 400V+N	21.7 kW	32 A
Elettrico	3ph 230V	21.7 kW	55 A
Gas	3ph 400V+N	1 kW	2 A
Gas	3ph 230V	1 kW	3 A

\* with residual humidity 50%

\*\* Percentage on installed power



- 1 - Gas supply 3/4"
- 2 - Electrical power
- 3 - Humid air exhaust Ø 100 mm
- 4 - Flue gas drain Ø 100 mm

DISTRIBUTOR

**IMESA S.p.A.**

Via Degli Olmi, 22 - 31040 CESSALTO (TV) - ITALY

Tel. +390.421.46.80.11 - Fax +390.421.46.80.00

Internet address: [www.imesa.it](http://www.imesa.it) - E-Mail: [imesa@imesa.it](mailto:imesa@imesa.it)

