

Technical data

| | | |
|---------------------------|-----------|-------------------|
| Roller length | 1000 | mm |
| Roller diameter | 250 | mm |
| Hourly production* | 25 | Kg/h |
| Ironing speed | 1-10 | m/min |
| Evaporation capacity* | 5 | l/h |
| Suction capacity | 200(opz.) | m ³ /h |
| Heating leaks from the st | 3 | % |
| Noise | 55 | dB(A) |
| Chest pressure | 214-322 | Kg/m ² |

Weights and packing dimensions

| | | |
|--------------|------|----------------|
| Height | 1100 | mm |
| Width | 1512 | mm |
| Depth | 720 | mm |
| Volum | 1.3 | m ³ |
| Gross weight | 168 | kg |
| Net weight | 141 | kg |

Electrical heating

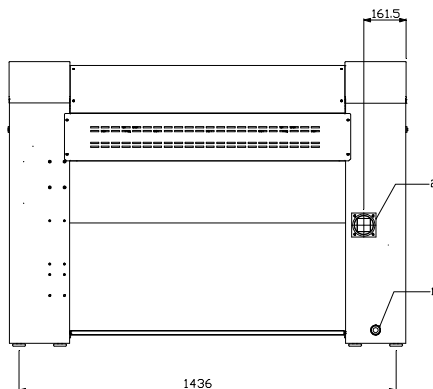
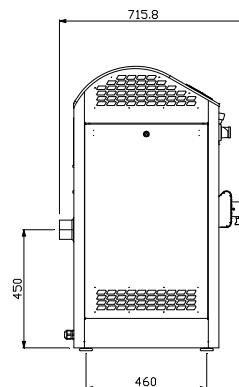
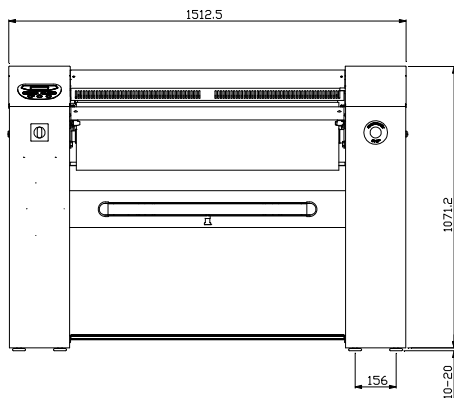
| | | |
|-----------------|--------|----|
| Heating element | 3x1500 | W |
| Heating power | 4.5 | kW |

* with residual humidity 20%

** Percentage on installed power

Power and absorptions

| Heating | Supply | Total power | Absorption |
|-----------|------------|-------------|------------|
| Elettrico | 3ph 400V+N | 4.7 kW | 7 A |
| Elettrico | 3ph 230V | 4.7 kW | 12 A |
| Elettrico | 1ph 230V | 4.7 kW | 22 A |



- 1 - Electrical power
- 2 - Humid air exhaust Ø 73 mm

DISTRIBUTOR

IMESA S.p.A.

Via Degli Olmi, 22 - 31040 CESSALTO (TV) - ITALY

Tel. +390.421.46.80.11 - Fax +390.421.46.80.00

Internet address: www.imesa.it - E-Mail: imesa@imesa.it

